



250 Staunton Turnpike, Parkersburg, WV 26104

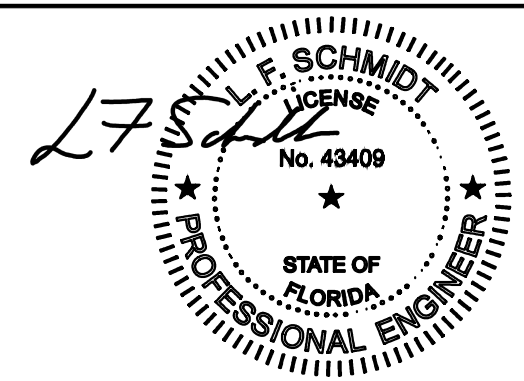
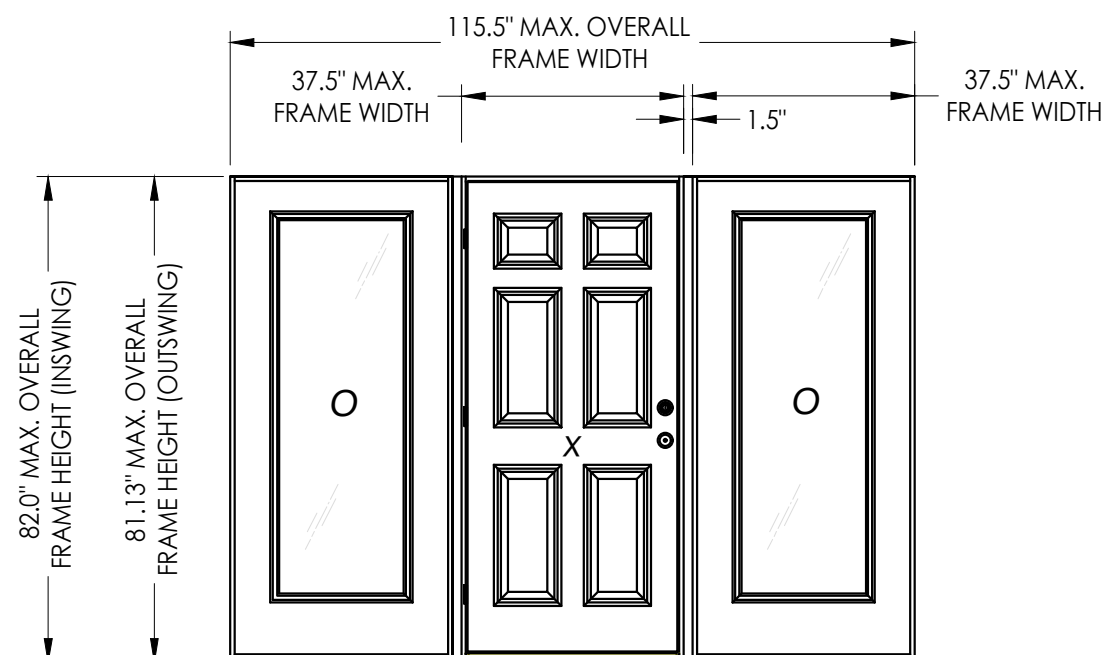
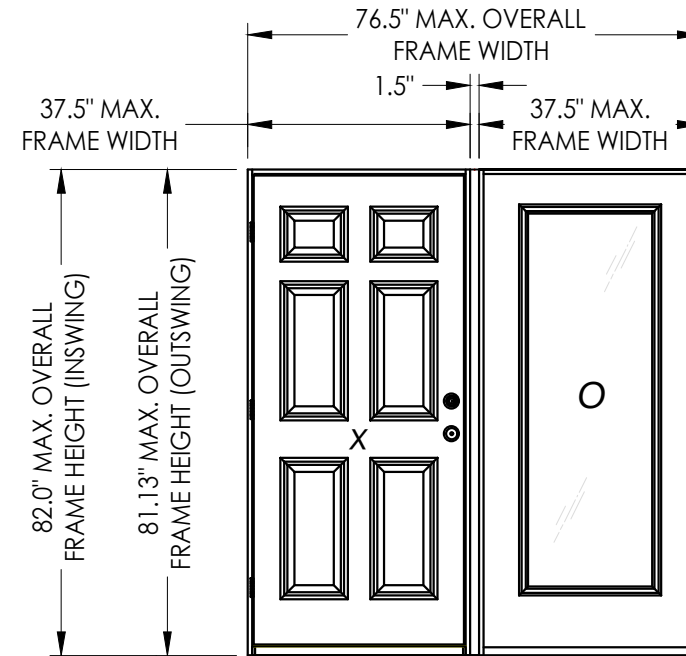
WINCORE FIBERGLASS ENTRY DOOR INSWING / OUTSWING "IMPACT"

GENERAL NOTES

- This product has been evaluated and is in compliance with the 8th Edition (2023) Florida Building Code (FBC) structural requirements including the "High Velocity Hurricane Zone" (HVHZ).
- Product anchors shall be as listed and spaced as shown on details. Anchor embedment to base material shall be beyond wall dressing or stucco.
- When used in the "HVHZ" this product complies with Section 1626 of the Florida Building Code and does not require an impact resistant covering.
- When used in areas outside of the "HVHZ" requiring wind borne debris protection this product complies with FBC Sections 1609.1.2 & R301.2.1.2 and does not require an impact resistant covering. This product meets missile level "D" and includes Wind Zone 4 as defined in ASTM E1996 and FBC Sections 1609.1.2.2 & R301.2.1.2.1.
- For 2x stud construction, anchoring of these units shall be the same as that shown for 2x buck masonry construction.
- Site conditions that deviate from the details of this drawing require further engineering analysis by a licensed engineer or registered architect.
- Outswing configurations meet water infiltration requirements for "HVHZ". All other configurations do not meet the water infiltration requirements for the "HVHZ" and must be installed only in non-habitable areas or at habitable locations protected by an overhang or canopy such that the angle between the edge of canopy or overhang to sill is less than 45 degrees.

TABLE OF CONTENTS

SHEET #	DESCRIPTION
1	Typical elevations, design pressures & general notes
2	Door panel details
3	Sidelite panel details
4	Elevations
5	Horizontal cross sections
6	Vertical cross sections
7	Vertical cross sections
8	3-Point lock details
9	3-Point lock details
10	Buck anchoring
11	Frame anchoring
12	Bill of materials & components



This item has been digitally signed and sealed by L. F. Schmidt, P.E. on the date adjacent to the seal. Printed copies of this document are not considered signed and sealed and the signature must be verified on any electronic copies.

Documents Prepared By:
Lyndon F. Schmidt
P.E. No. 43409

RW
BUILDING CONSULTANTS, INC.
P.O. Box 230, Valrico, FL 33595
Phone No.: 813.659.9197
FBPE Registry No. 9813

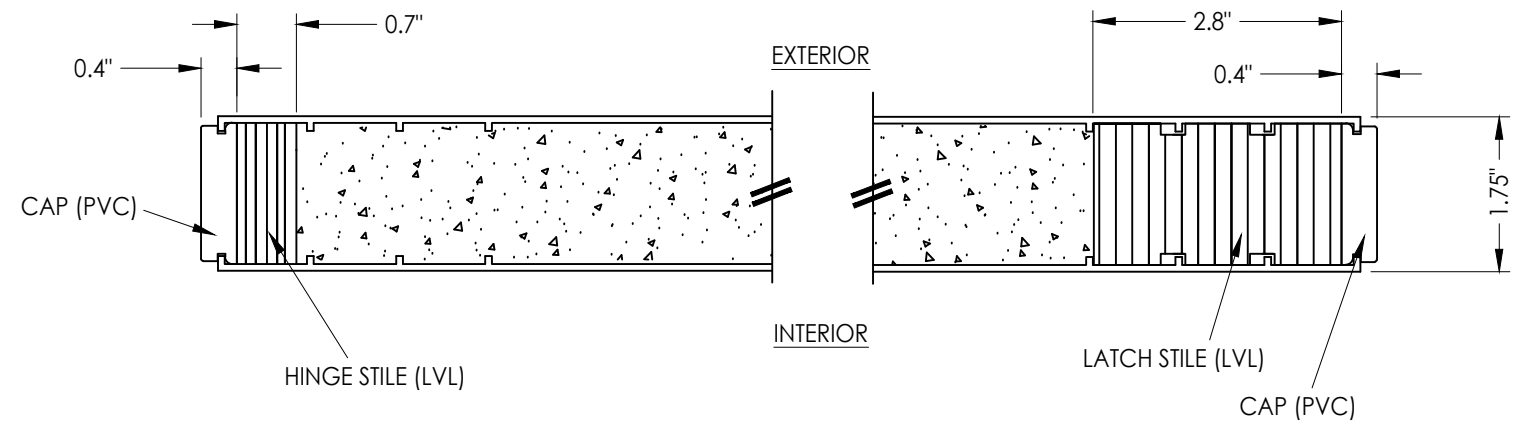
PRODUCT: WINCORE FIBERGLASS DOOR
PART OR ASSEMBLY: TYPICAL ELEVATION, DESIGN PRESSURES & GENERAL NOTES

NO.	DATE	REVISIONS
4	7/06/23	UPDATE TO 8TH ED. (2023) FBC & REVISE LITE FRAME
3	7/06/20	UPDATE TO 7TH ED. (2020) FBC
2	6/1/17	UPDATE TO 6TH ED. (2017) FBC
1	2/6/15	UPDATE TO 5TH ED. (2014) FBC
		BY JK

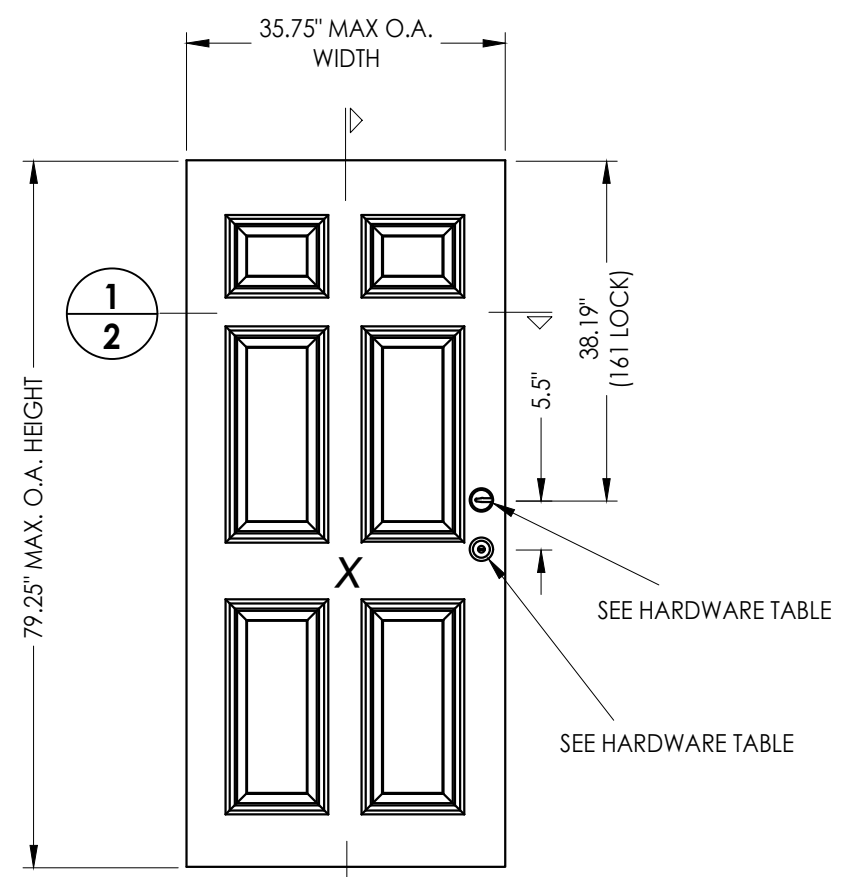
DATE: 05/10/12
SCALE: N.T.S.
DWG. BY: JK
CHK. BY: LFS
DRAWING NO.: FL-15631.2
SHEET 1 OF 12

CONFIGURATION	MAX. FRAME DIMENSION	DESIGN PRESSURE (PSF)	
		POSITIVE	NEGATIVE
OX/XO	76.5" x 82.0"	+70.0	-70.0
OXO	115.5" x 82.0"	+70.0	-70.0

See Sheet 2 for hardware design pressure limitations



1
2 HORIZONTAL CROSS SECTION

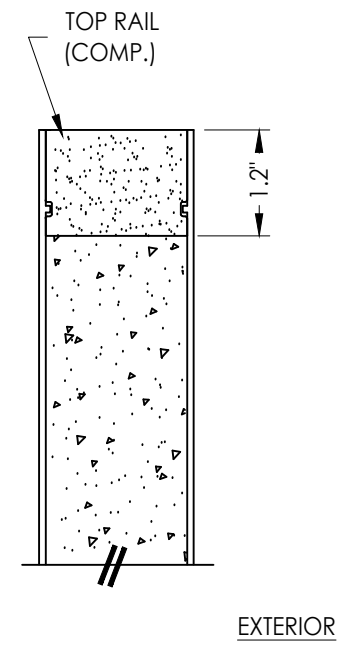


2
2 DOOR PANEL
Plastpro Fiberglass

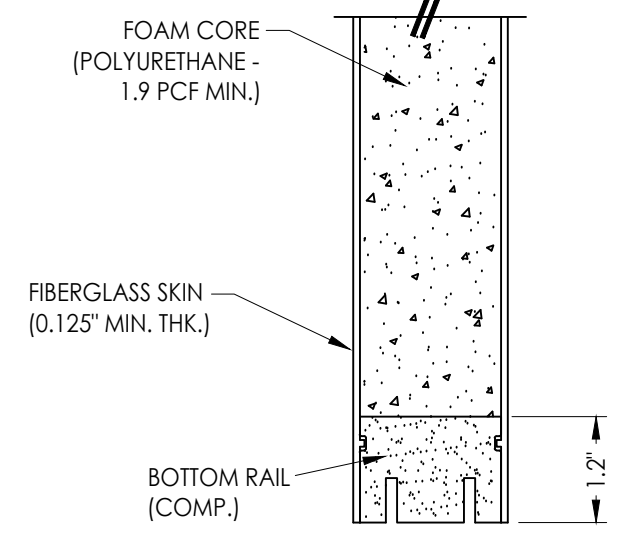
FIBERGLASS SKIN: 0.125" MIN. THK. (MIN. Fy = 11,860 PSI)

HARDWARE TABLE			
MANUFACTURER	MODEL		MAX. DESIGN PRESSURE (PSF)
KWIKSET	KNOB:	SIGNATURE SERIES	± 70
	DEADBOLT:	SIGNATURE SERIES (980)	
SCHLAGE	KNOB:	"F" SERIES (F51)	± 70
	DEADBOLT:	"B" SERIES (B60/62)	
PAMEX	LEVER:	FL3B SERIES	± 70
	DEADBOLT:	FD7 SERIES	
HOPPE	MULTI-POINT LOCK:	HLS9000 (3-POINT TONGUE)	± 50
ENDURA	MULTI-POINT LOCK:	TRILENNIUM "3000" SERIES	± 70

See Sheets 8 & 9 for multi-point lock details.



2
2 VERTICAL CROSS SECTION



Documents Prepared By:
Lyndon F. Schmidt
P.E. No. 43409

RW BUILDING CONSULTANTS, INC.
P.O. Box 230, Valrico, FL 33595
Phone No.: 813.659.9197
FBPE Registry No. 9813

PRODUCT: WINCORE FIBERGLASS DOOR

PART OR ASSEMBLY: DOOR PANEL DETAILS

NO.	DATE	REVISIONS	
		BY	
4	7/06/23	UPDATE TO 8TH ED. (2023) FBC & REVISE LITE FRAME	LFS
3	7/06/20	UPDATE TO 7TH ED. (2020) FBC	LFS
2	6/1/17	UPDATE TO 6TH ED. (2017) FBC	LFS
1	1/13/15	UPDATE TO 5TH ED. (2014) FBC	LFS

DATE: 05/10/12

SCALE: N.T.S.

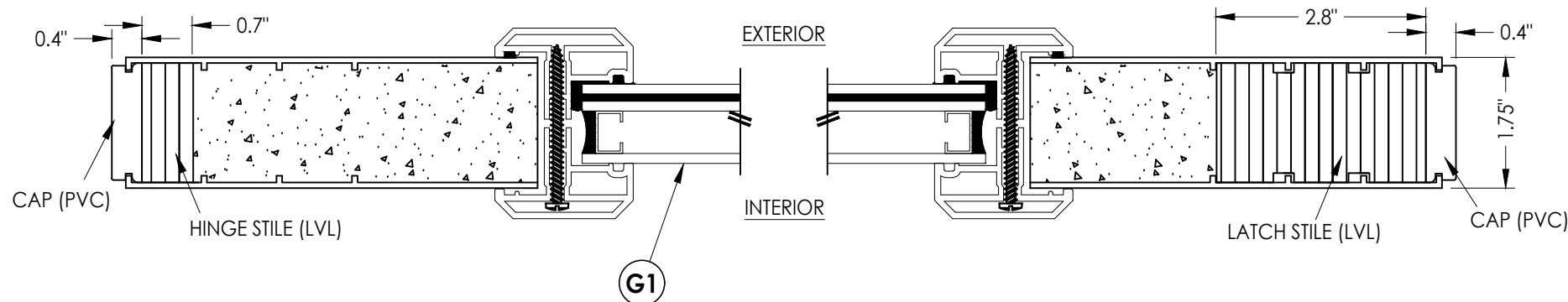
DWG. BY: JK

CHK. BY: LFS

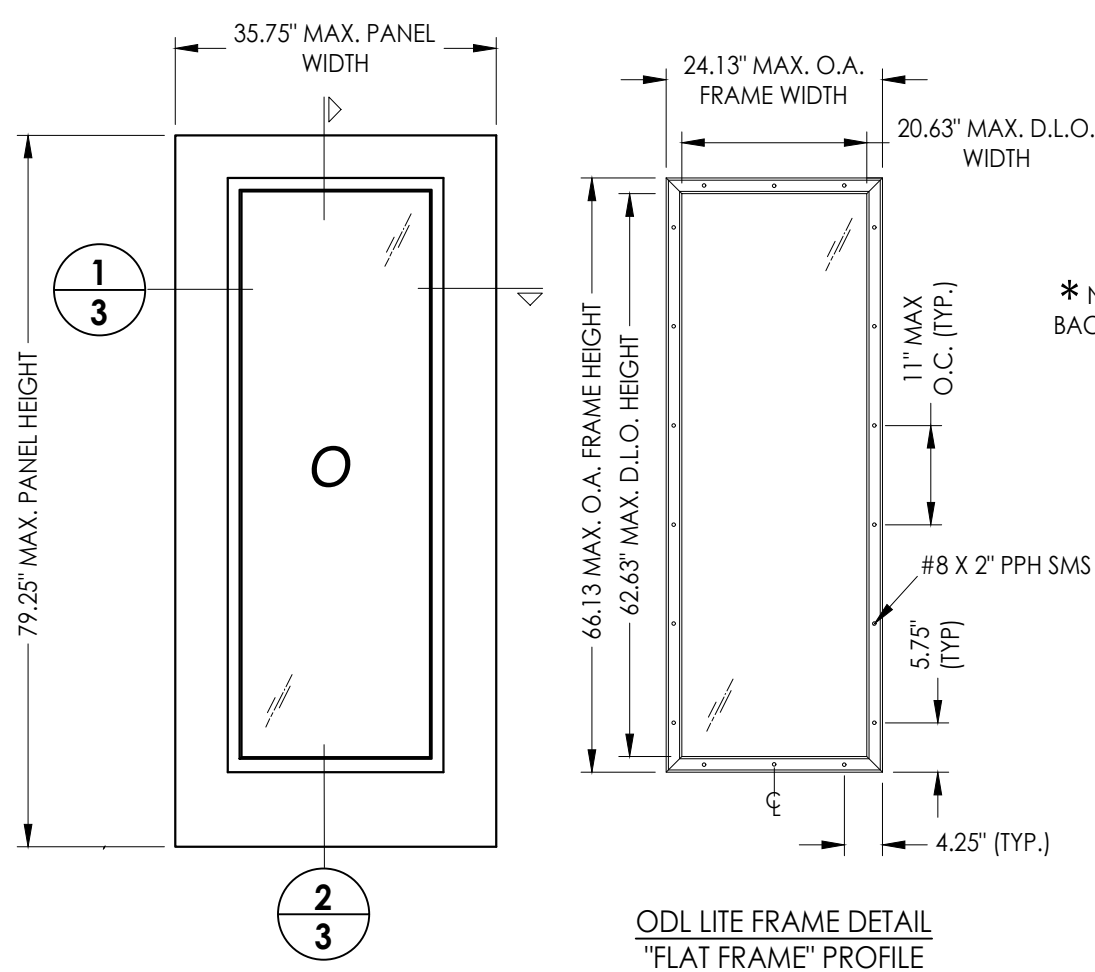
DRAWING NO.: FL-15631.2

SHEET 2 OF 12

Z:\2023 FBC Drawings\Wincore Window Company\FL-15631 R5\FL-15631.2.5.dwg

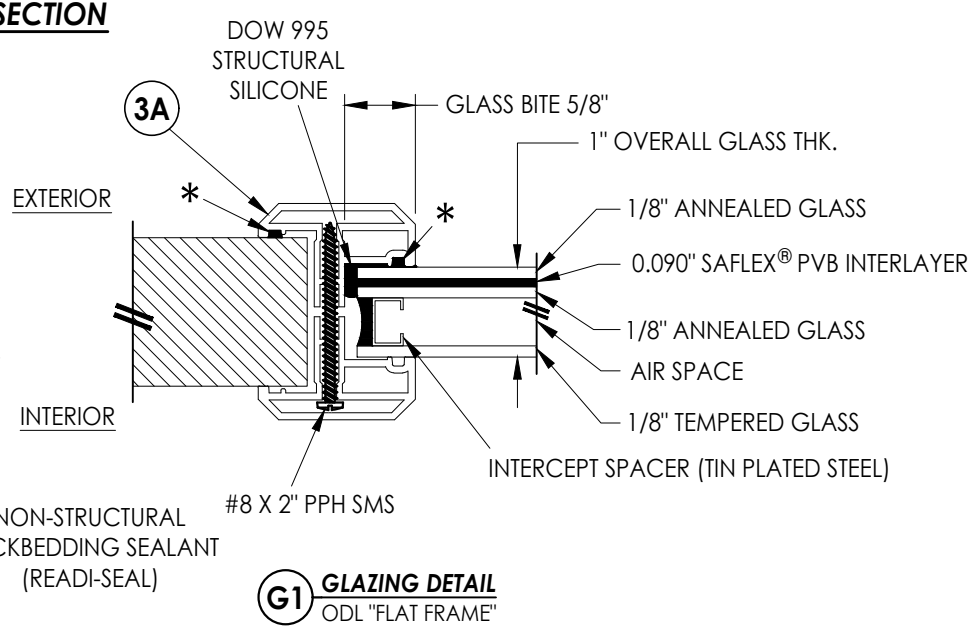


1
3 **HORIZONTAL CROSS SECTION**

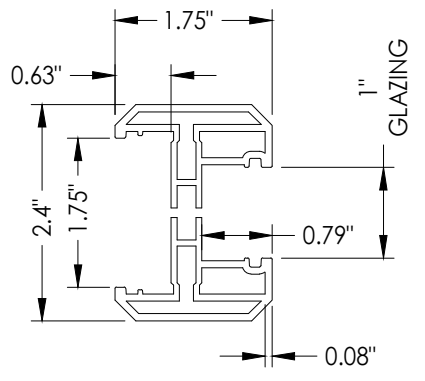


50 **PLASTPRO SIDELITE PANEL**

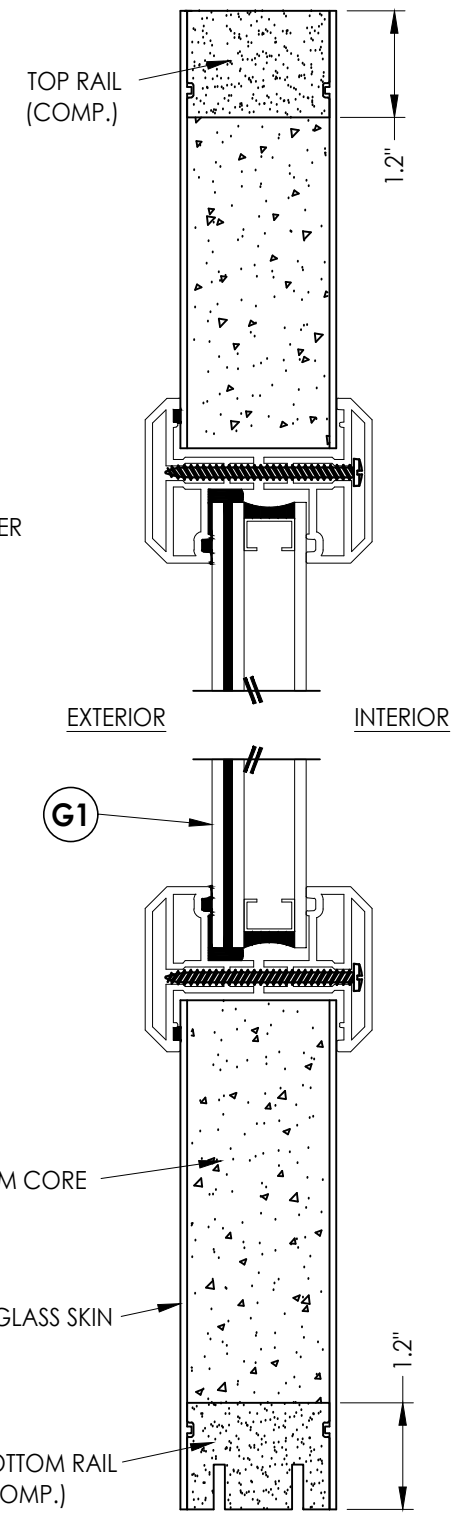
FIBERGLASS SKIN: 0.125" MIN. THK. (MIN. Fy = 11,860 PSI)
FOAM CORE: POLYURETHANE - 1.9 PCF MIN.)



G1 **GLAZING DETAIL**
ODL "FLAT FRAME"



3A **ODL LITE FRAME**
"FLAT FRAME" PROFILE
(6063-T5 ALUM)



2
3 **VERTICAL CROSS SECTION**

Documents Prepared By:
Lyndon F. Schmidt
P.E. No. 43409

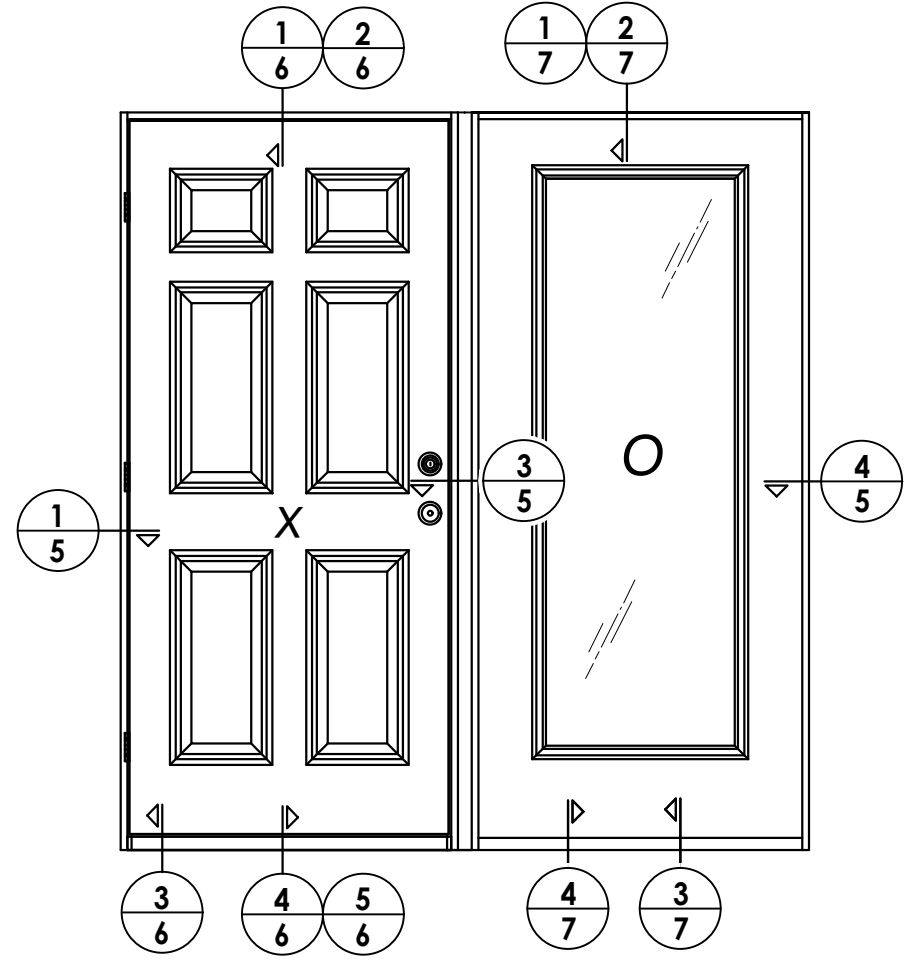
RW BUILDING CONSULTANTS, INC.
P.O. Box 230, Valrico, FL 33595
Phone No.: 813.659.9197
FBPE Registry No. 9813

PRODUCT:	WINCORE FIBERGLASS DOOR
PART OR ASSEMBLY:	SIDELITE PANEL DETAILS

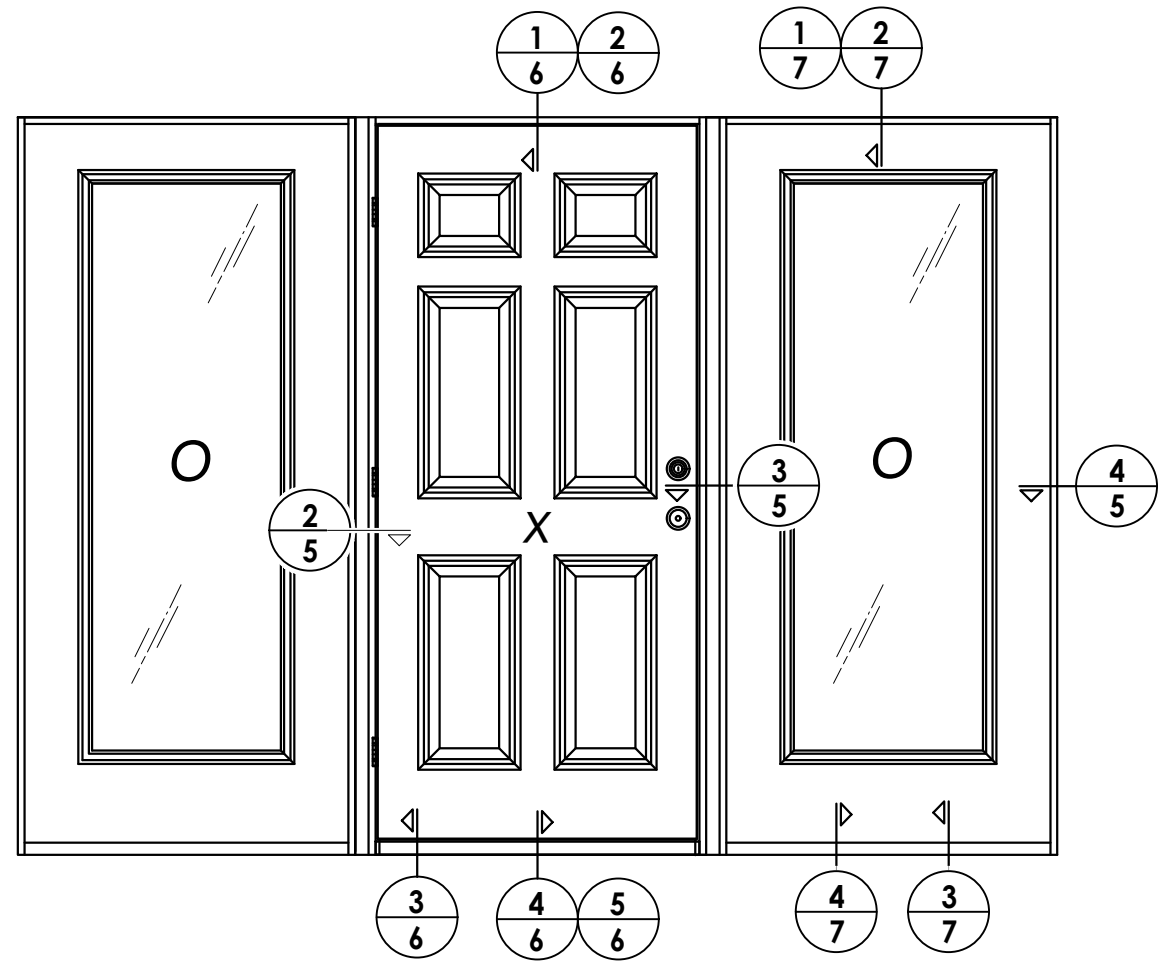
NO.	DATE	REVISIONS	BY
4	7/06/23	UPDATE TO 8TH ED. (2023) FBC & REVISE LITE FRAME	LFS
3	7/06/20	UPDATE TO 7TH ED. (2020) FBC	LFS
2	6/1/17	UPDATE TO 6TH ED. (2017) FBC	LFS
1	1/13/15	UPDATE TO 5TH ED. (2014) FBC	LFS

DATE:	05/10/12
SCALE:	N.T.S.
DWG. BY:	JK
CHK. BY:	LFS
DRAWING NO.:	FL-15631.2
SHEET	3 OF 12

© 2012 R.W. BUILDING CONSULTANTS INC.



ELEVATION (XO - OX)



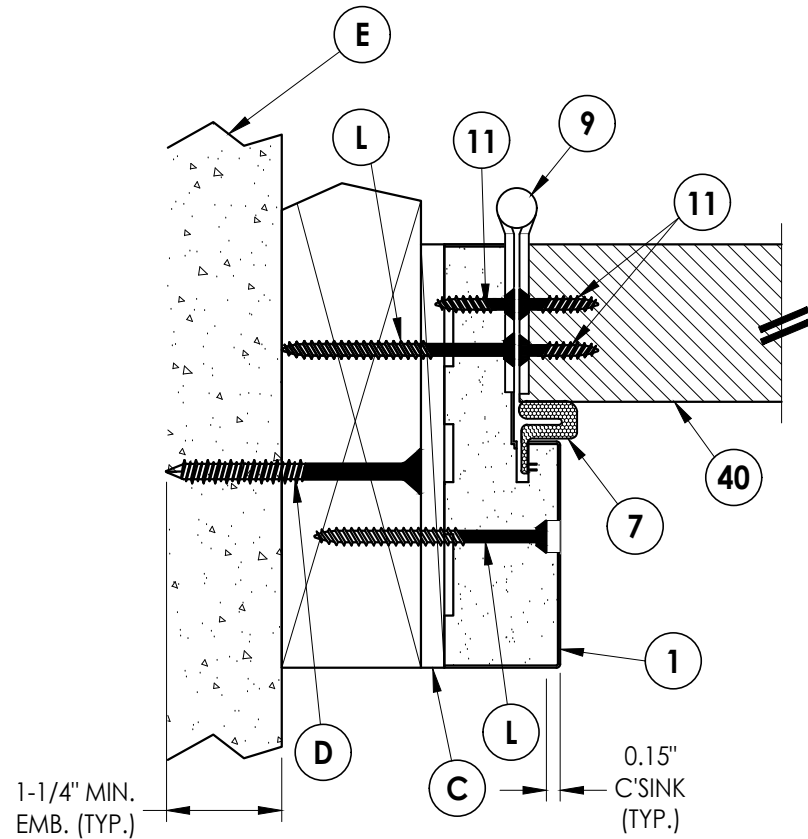
ELEVATION (OXO)

DATE:	05/10/12	
SCALE:	N.T.S.	
DWG. BY:	JK	
CHK. BY:	LFS	
DRAWING NO.:	FL-15631.2	
SHEET	4	OF 12

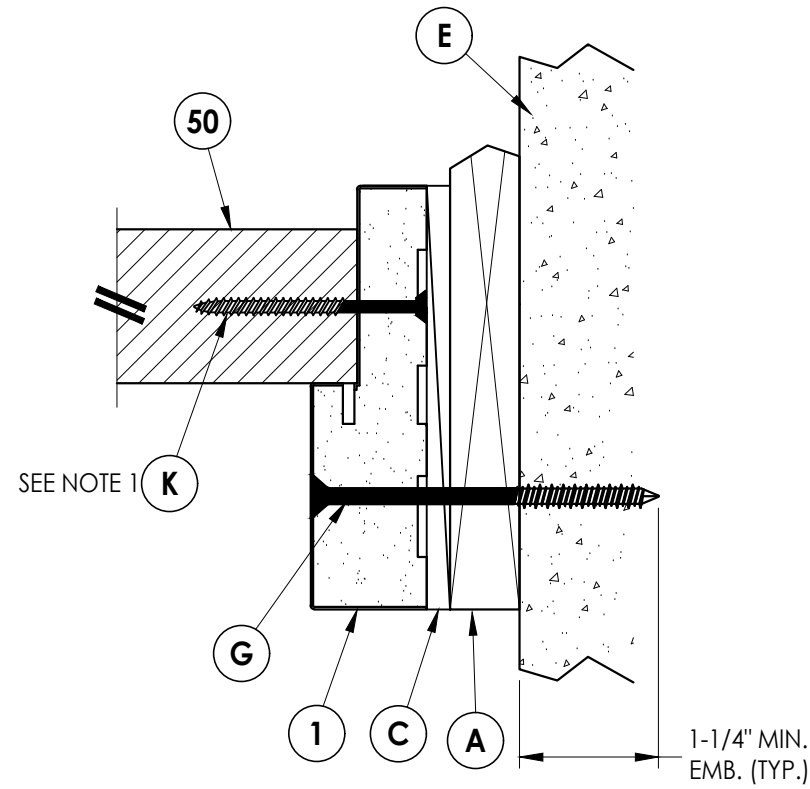
PRODUCT:	WINCORE FIBERGLASS DOOR
PART OR ASSEMBLY:	ELEVATIONS

Documents Prepared By:
Lyndon F. Schmidt
P.E. No. 43409

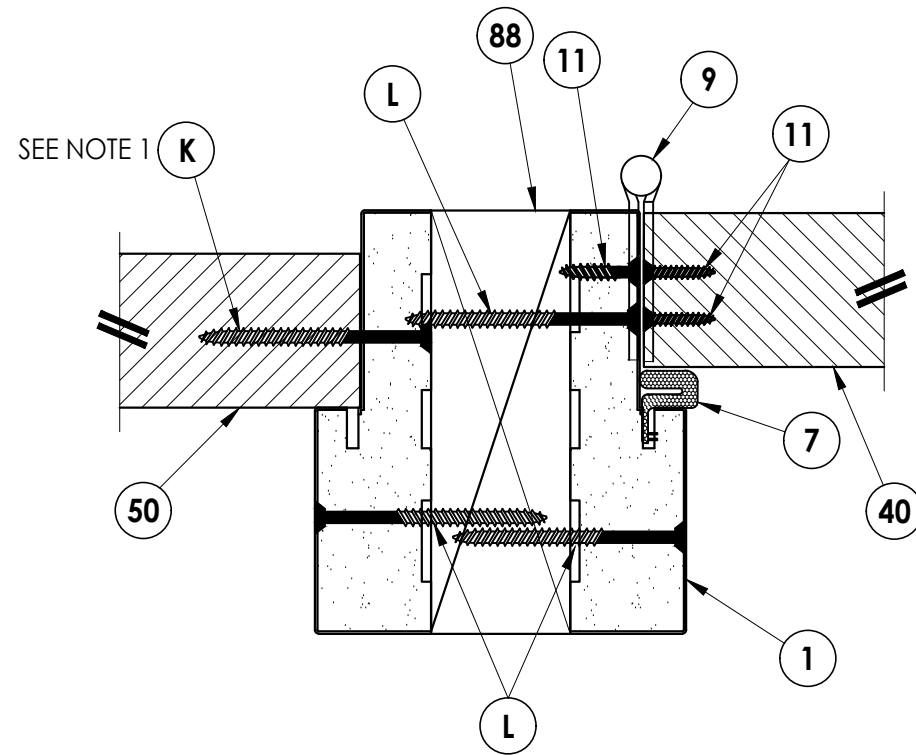
RW BUILDING CONSULTANTS, INC.
P.O. Box 230, Valrico, FL 33595
Phone No.: 813.659.9197
FBPE Registry No. 9813



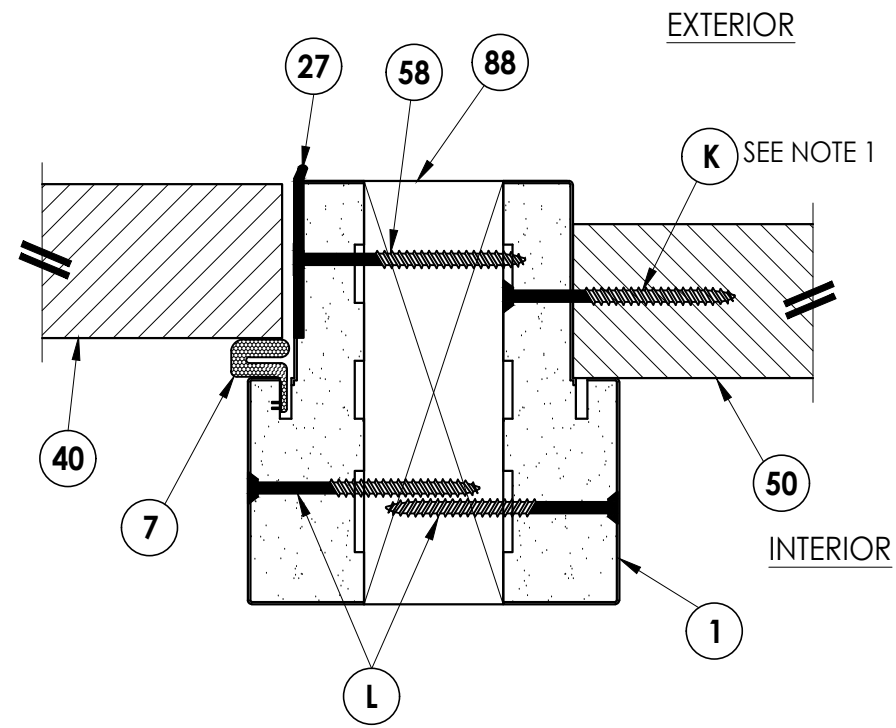
1 HORIZONTAL CROSS SECTION
5 Outswing shown - Inswing also approved



4 HORIZONTAL CROSS SECTION
5 Shown w/1X sub-buck



2 HORIZONTAL CROSS SECTION
5 Outswing shown - Inswing also approved



3 HORIZONTAL CROSS SECTION
5 Outswing shown - Inswing also approved

NOTE:
 1. Spacing for item K: 6" from ends and 7 more equally spaced along sidelite (9 total).

Documents Prepared By:
 Lyndon F. Schmidt
 P.E. No. 43409

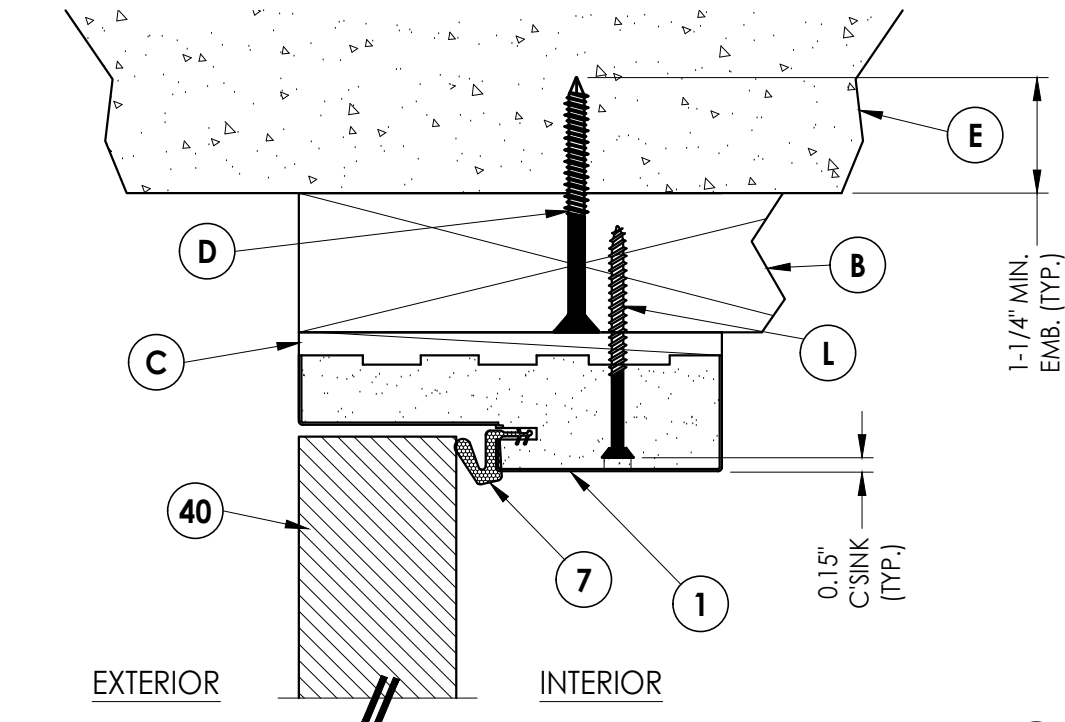
RW
 BUILDING CONSULTANTS, INC.
 P.O. Box 230, Valrico, FL 33595
 Phone No.: 813.659.9197
 FBPE Registry No. 9813

PRODUCT:
 WINCORE
 FIBERGLASS DOOR
 PART OR ASSEMBLY:
 HORIZONTAL
 CROSS SECTIONS

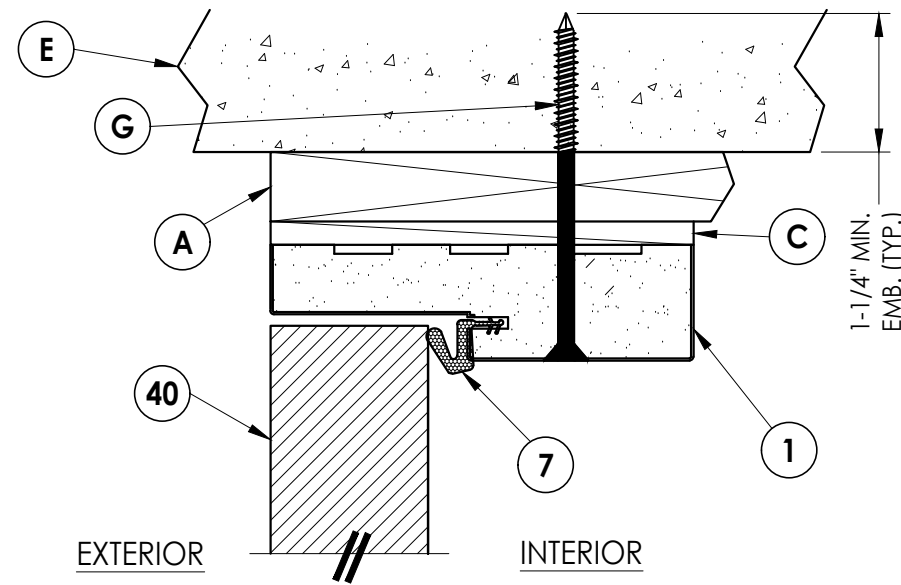
NO.	DATE	BY	JK	LFS	FBC	FBC	FBC	FBC	LFS
4	7/06/23								
	UPDATE TO 8TH ED. (2023) FBC & REVISE LITE FRAME								
3	7/06/20								
	UPDATE TO 7TH ED. (2020) FBC								
2	6/1/17								
	UPDATE TO 6TH ED. (2017) FBC								
1	2/6/15								
	UPDATE TO 5TH ED. (2014) FBC								

REVISIONS

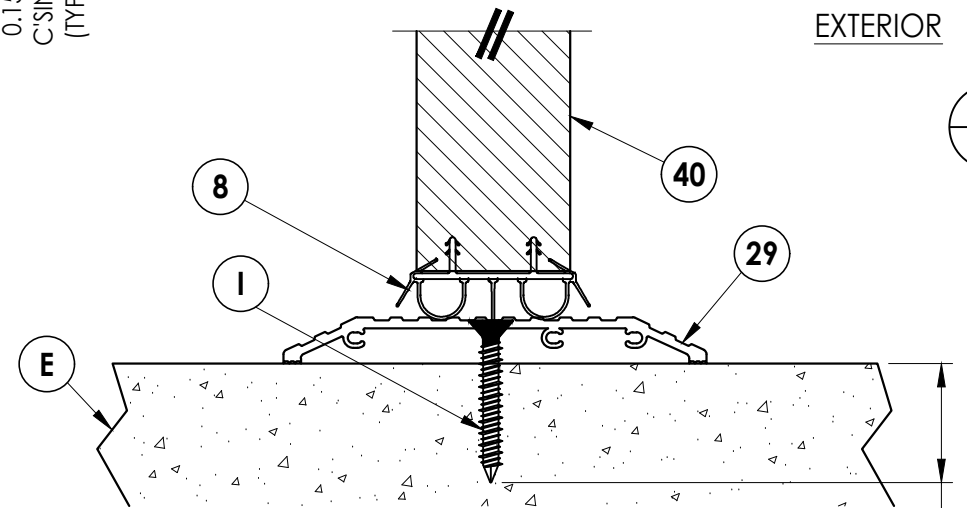
DATE: 05/10/12
 SCALE: N.T.S.
 DWG. BY: JK
 CHK. BY: LFS
 DRAWING NO.: FL-15631.2
 SHEET 5 of 12



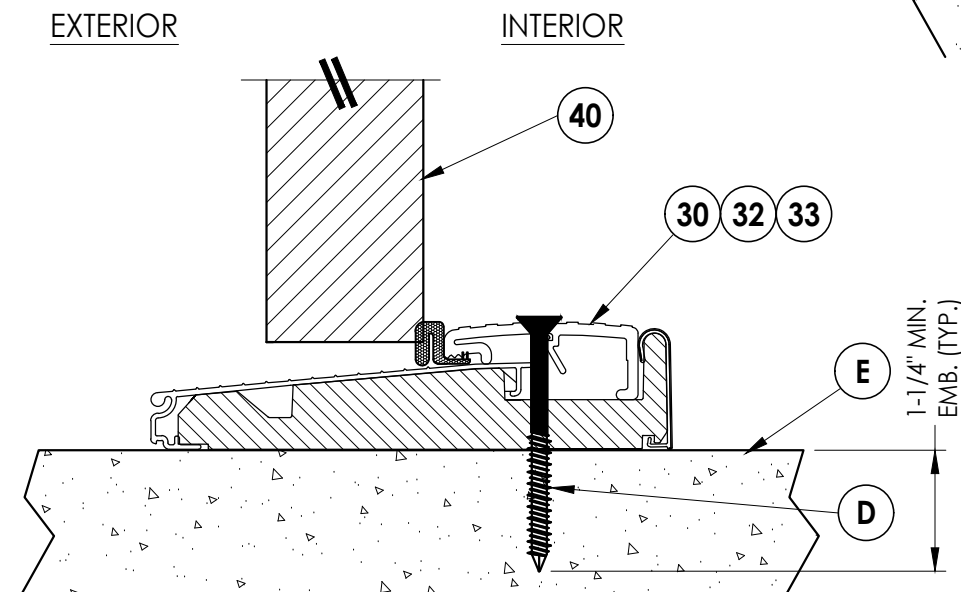
1 VERTICAL CROSS SECTION
6 Outswing shown - Inswing also approved



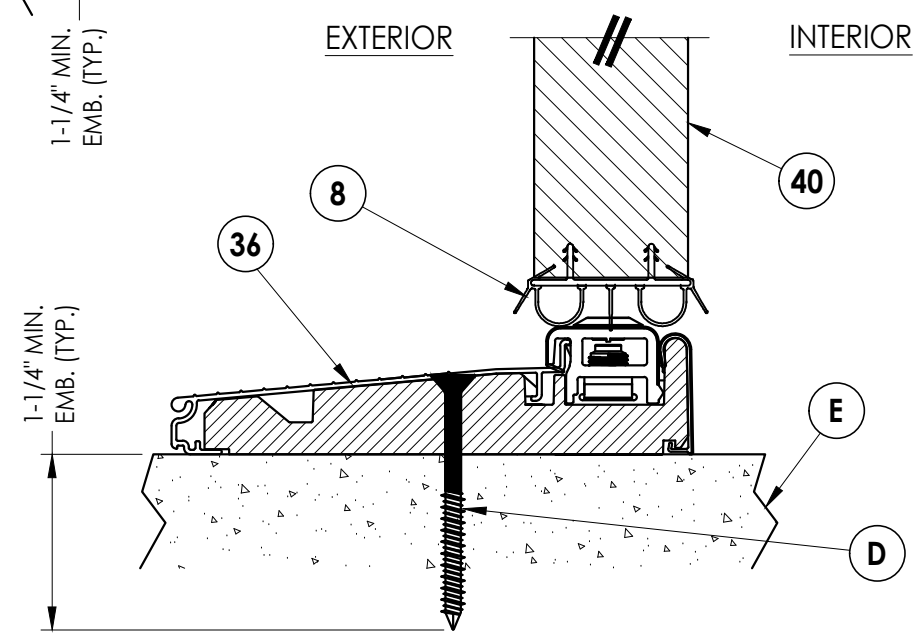
2 VERTICAL CROSS SECTION
6 Shown w/1X sub-buck



5 VERTICAL CROSS SECTION
6 Shown w/ ADA threshold



3 VERTICAL CROSS SECTION
6 Outswing configuration



4 VERTICAL CROSS SECTION
6 Inswing configuration

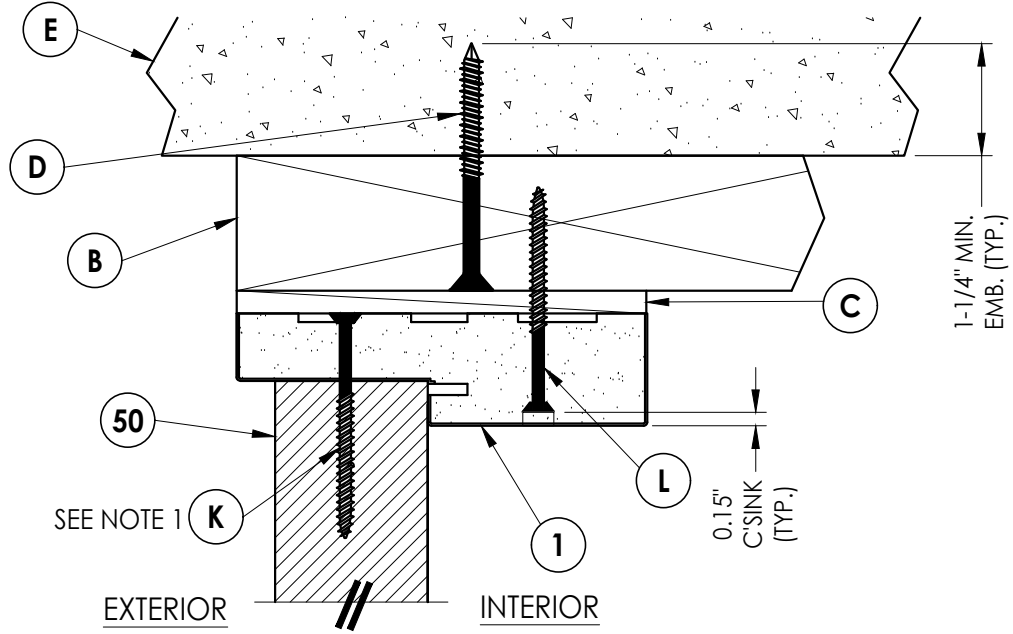
Documents Prepared By:
Lyndon F. Schmidt
P.E. No. 43409

RW
BUILDING CONSULTANTS, INC.
P.O. Box 230, Valrico, FL 33595
Phone No.: 813.659.9197
FBPE Registry No. 9813

PRODUCT:
WINCORE
FIBERGLASS DOOR
PART OR ASSEMBLY:
VERTICAL CROSS SECTIONS

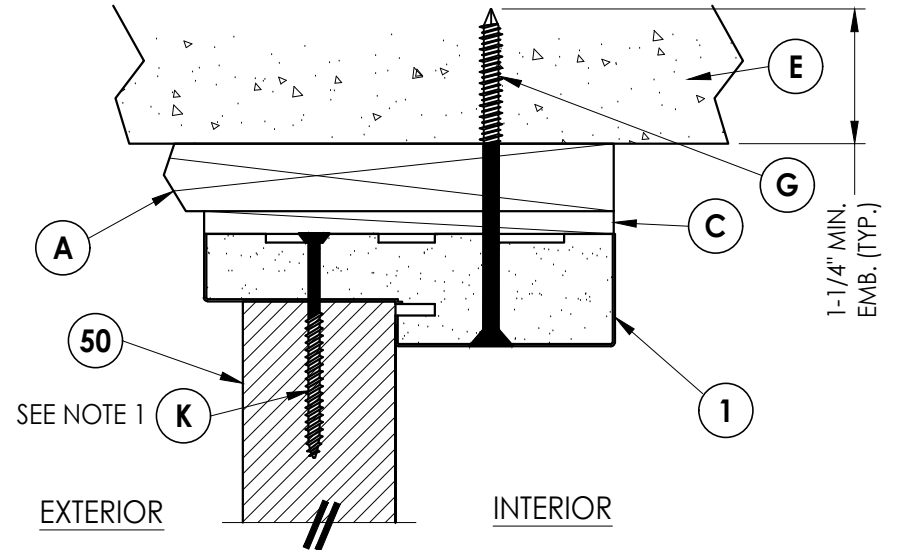
NO.	DATE	REVISIONS
4	7/06/23	UPDATE TO 8TH ED. (2023) FBC & REVISE LITE FRAME
3	7/06/20	UPDATE TO 7TH ED. (2020) FBC
2	6/1/17	UPDATE TO 6TH ED. (2017) FBC
1	2/6/15	UPDATE TO 5TH ED. (2014) FBC
		BY

DATE: 05/10/12
SCALE: N.T.S.
DWG. BY: JK
CHK. BY: LFS
DRAWING NO.: FL-15631.2
SHEET 6 OF 12

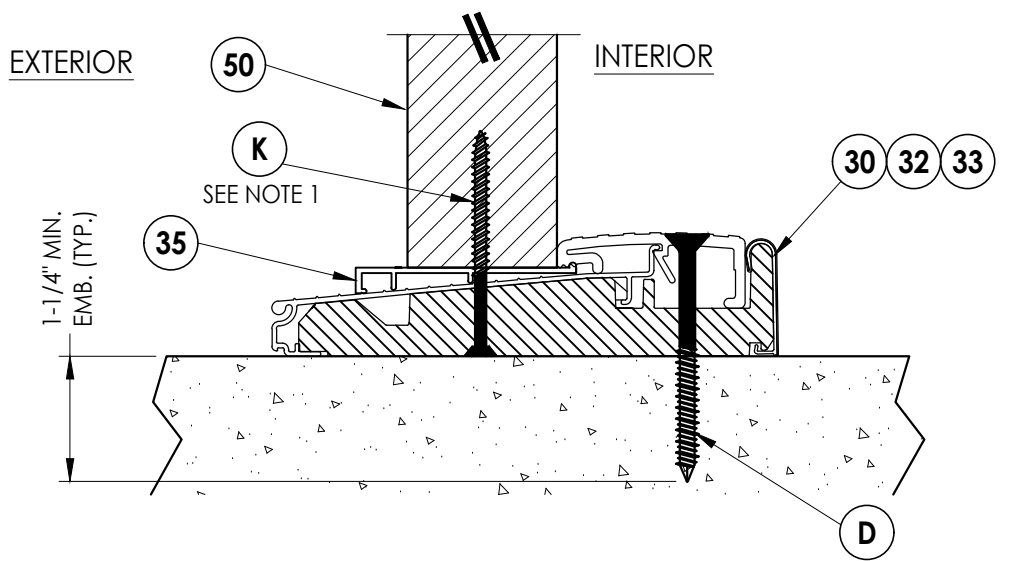


1 VERTICAL CROSS SECTION
7 Outswing shown - Inswing also approved

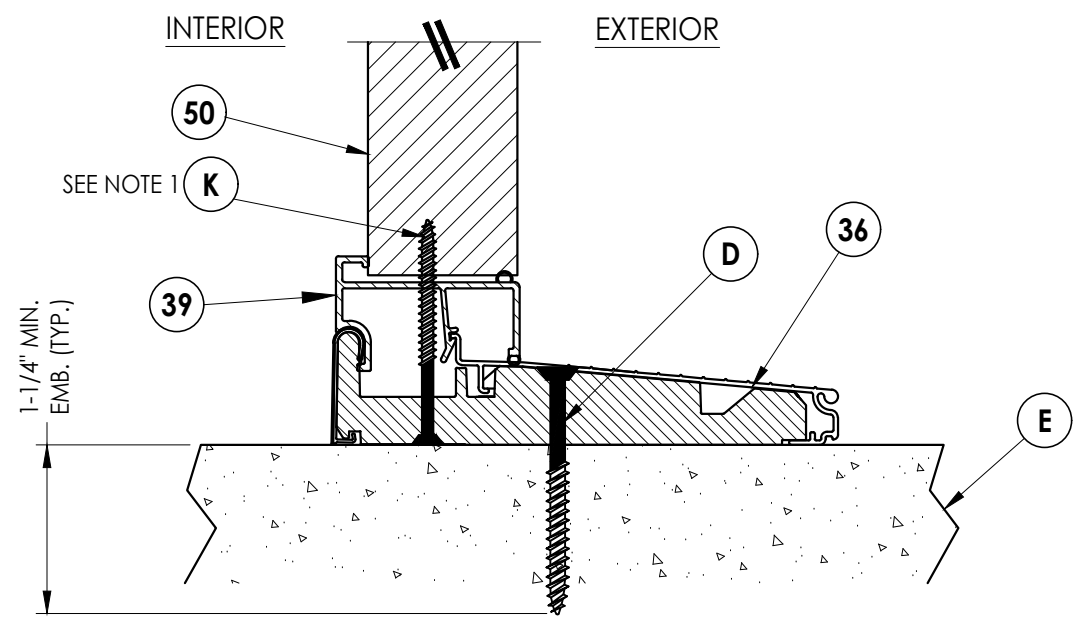
NOTE
 1. Spacing for item K:
 6" from each end
 and at centerline.



2 VERTICAL CROSS SECTION
7 Shown w/1X sub-buck



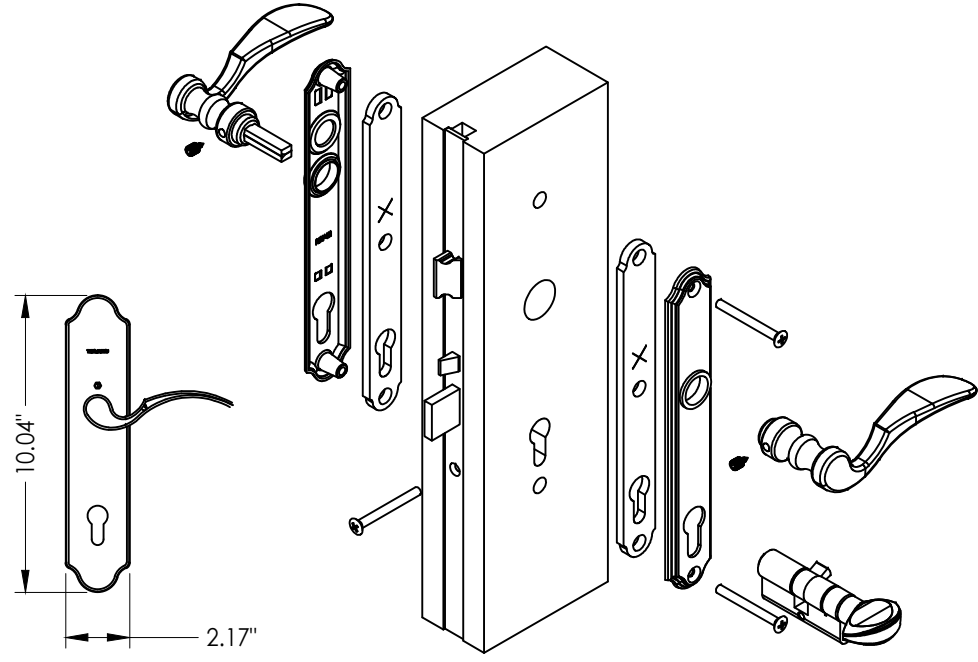
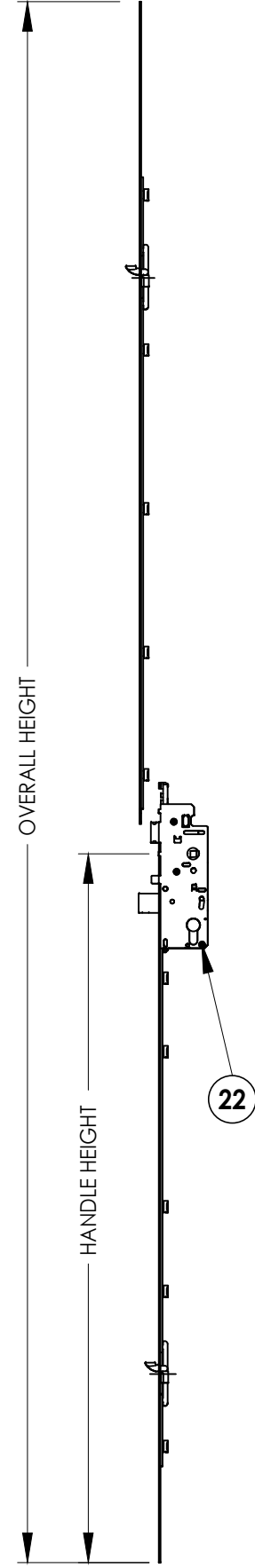
3 VERTICAL CROSS SECTION
7 Outswing shown



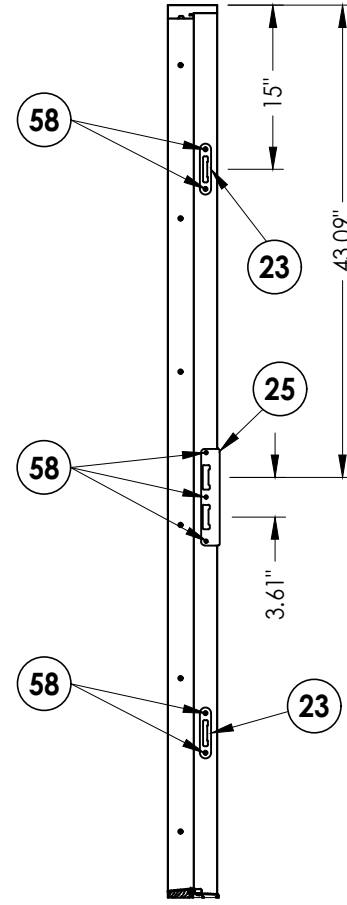
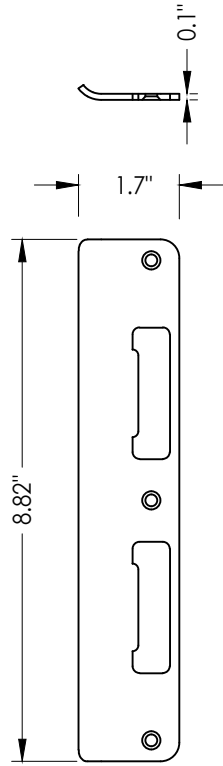
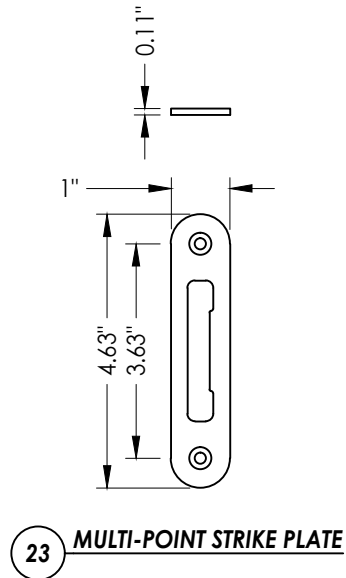
4 VERTICAL CROSS SECTION
7 Inswing shown

Documents Prepared By: Lyndon F. Schmidt P.E. No. 43409		BUILDING CONSULTANTS, INC. P.O. Box 230, Valrico, FL 33595 Phone No.: 813.659.9197 FBPE Registry No. 9813	
PRODUCT: WINCORE FIBERGLASS DOOR		PART OR ASSEMBLY: VERTICAL CROSS SECTIONS	
4	7/06/23	UPDATE TO 8TH ED. (2023) & REVISE LITE FRAME	LFS
3	7/06/20	UPDATE TO 7TH ED. (2020)	LFS
2	6/1/17	UPDATE TO 6TH ED. (2017)	LFS
1	2/6/15	UPDATE TO 5TH ED. (2014)	JK
NO.	DATE		BY
REVISIONS			
DATE: 05/10/12			
SCALE: N.T.S.			
DWG. BY: JK			
CHK. BY: LFS			
DRAWING NO.: FL-15631.2			
SHEET 7 of 12			

MANUAL RAISED TONGUE GEAR SYSTEM



22 **HOPPE MULTI-POINT LOCKSET**
HLS9000 (3-Point "Tongue")



STRIKE JAMB

DATE:	05/10/12
SCALE:	N.T.S.
DWG. BY:	JK
CHK. BY:	LFS
DRAWING NO.:	FL-15631.2
SHEET	8 OF 12

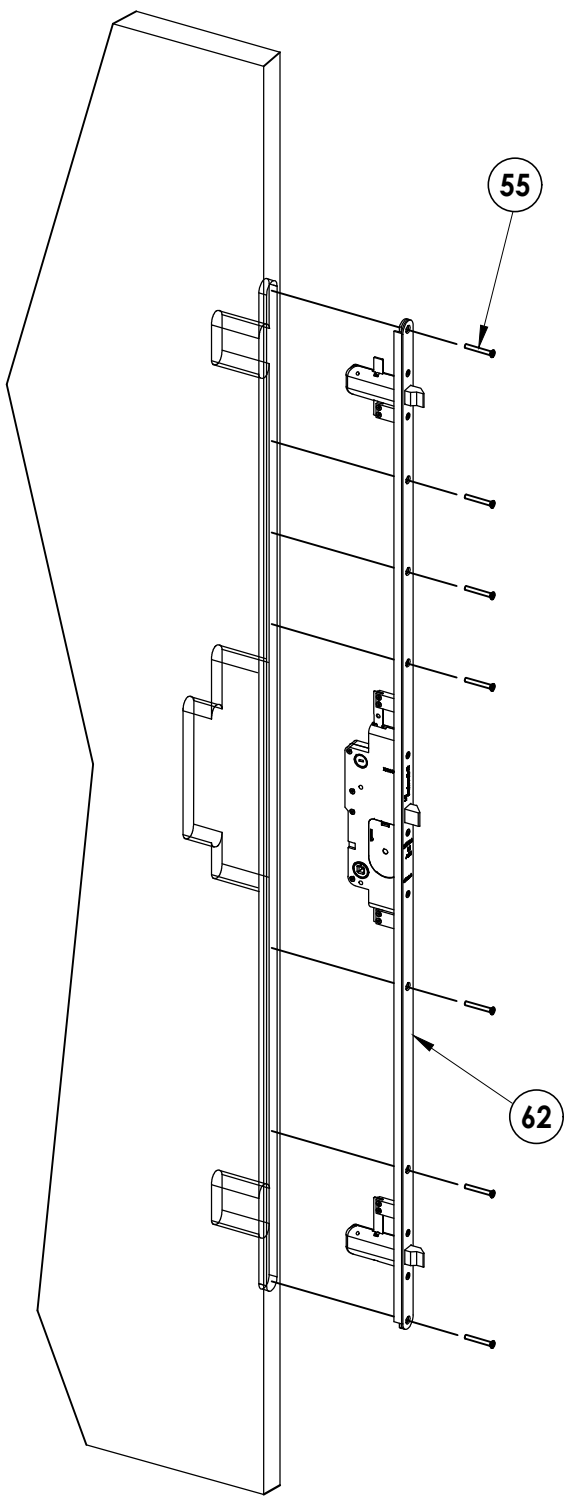
NO.	DATE	REVISIONS
4	7/06/23	UPDATE TO 8TH ED. (2023) FBC LFS & REVISE LITE FRAME
3	7/06/20	UPDATE TO 7TH ED. (2020) FBC LFS
2	6/1/17	UPDATE TO 6TH ED. (2017) FBC LFS
1	2/6/15	UPDATE TO 5TH ED. (2014) FBC JK

PRODUCT:	WINCORE FIBERGLASS DOOR
PART OR ASSEMBLY:	3-POINT LOCK DETAILS

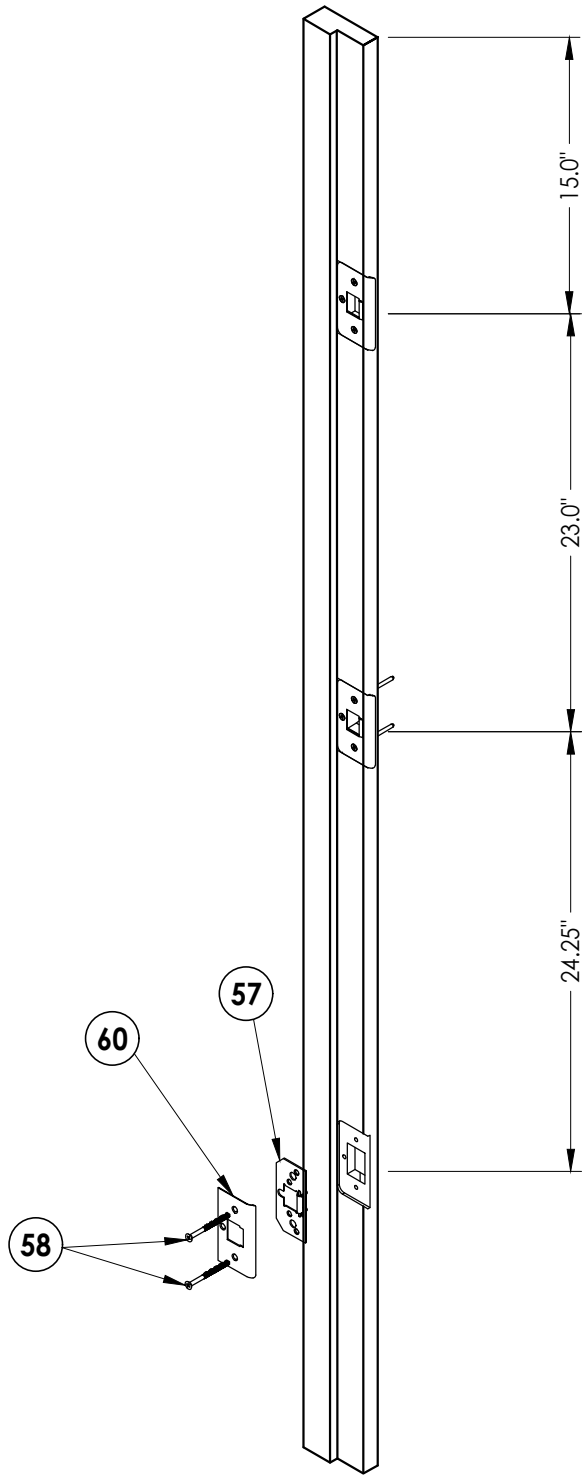
Documents Prepared By:
Lyndon F. Schmidt
P.E. No. 43409

RW

BUILDING CONSULTANTS, INC.
P.O. Box 230, Vairico, FL 33595
Phone No.: 813.659.9197
FBPE Registry No. 9813



59 ENDURA TRILENNIUM 3000 SERIES
3-Point Lock



STRIKE JAMB DETAIL

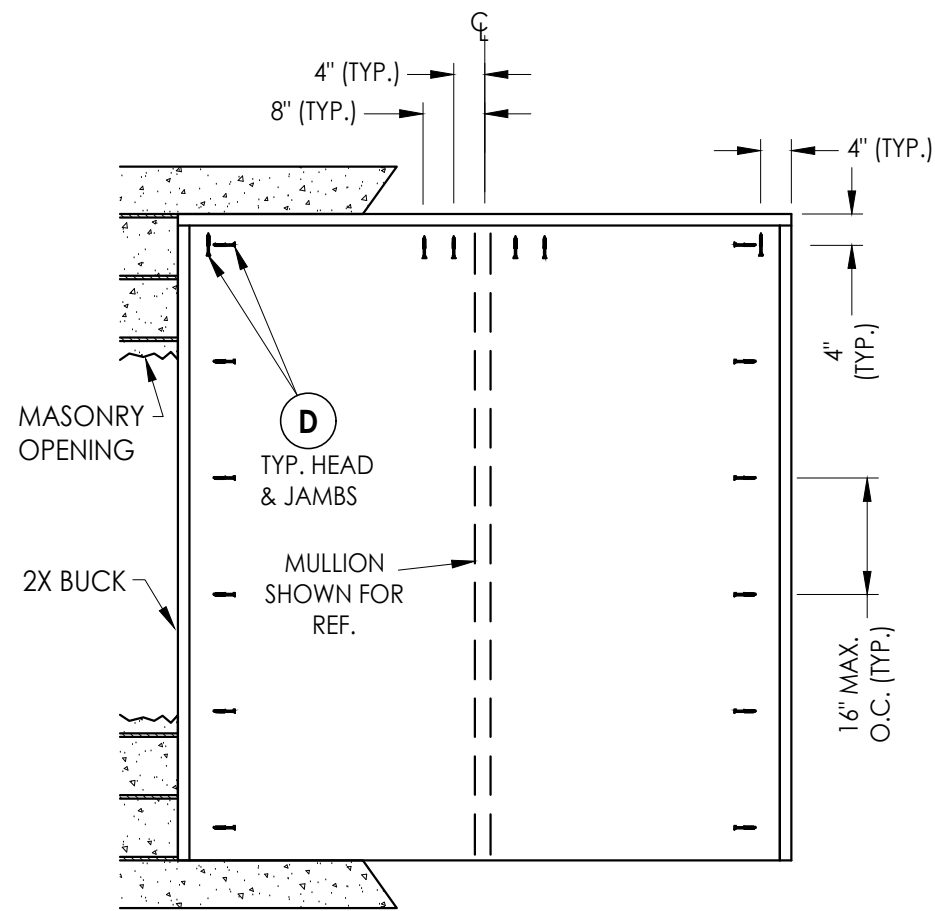
DATE:	05/10/12
SCALE:	N.T.S.
DWG. BY:	JK
CHK. BY:	LFS
DRAWING NO.:	FL-15631.2
SHEET	9 OF 12

NO.	DATE	REVISIONS	BY
4	7/06/23	UPDATE TO 8TH ED. (2023) FBC & REVISE LITE FRAME	LFS
3	7/06/20	UPDATE TO 7TH ED. (2020) FBC	LFS
2	6/1/17	UPDATE TO 6TH ED. (2017) FBC	LFS
1	2/6/15	UPDATE TO 5TH ED. (2014) FBC	JK

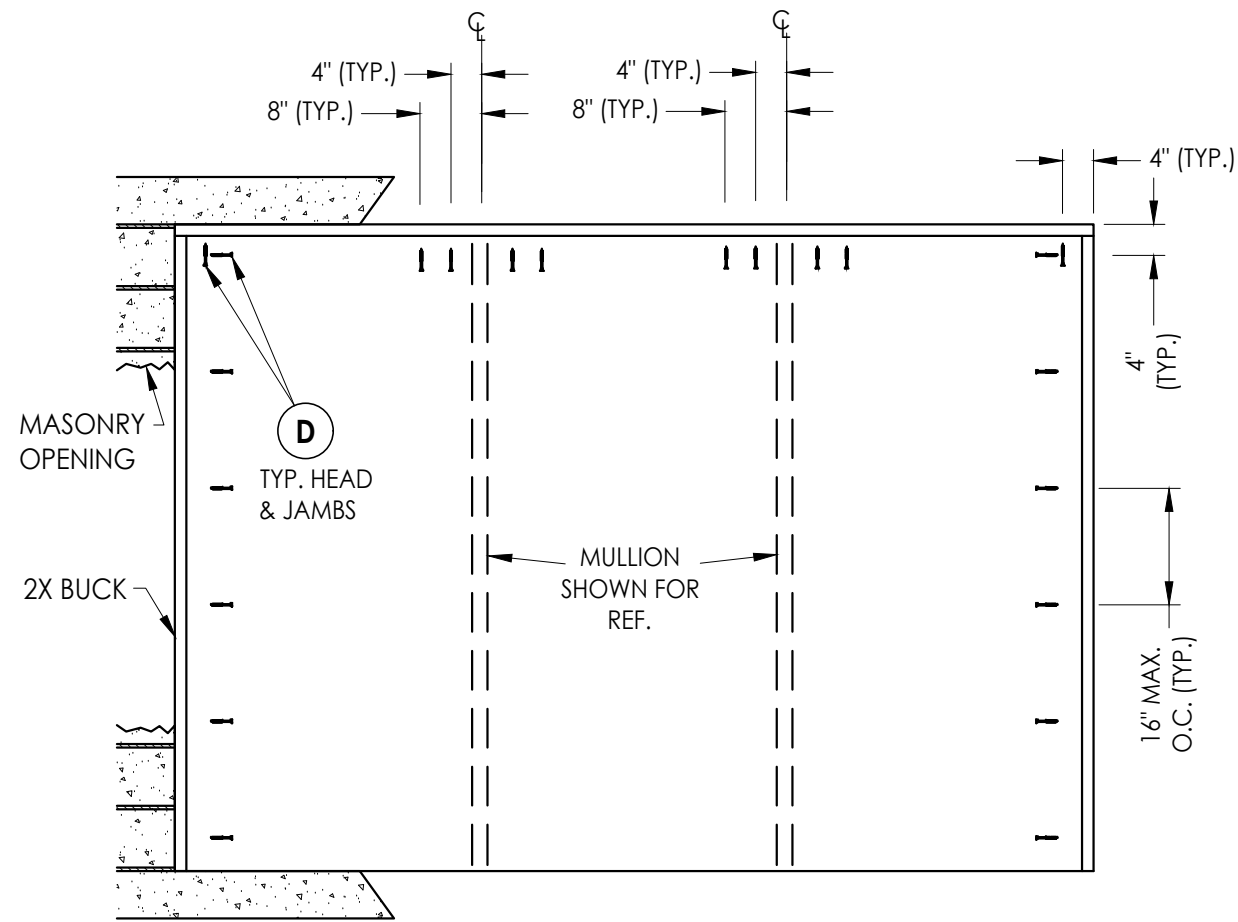
PRODUCT:	WINCORE FIBERGLASS DOOR
PART OR ASSEMBLY:	3-POINT LOCK DETAILS

Documents Prepared By:
Lyndon F. Schmidt
P.E. No. 43409

RW BUILDING CONSULTANTS, INC.
P.O. Box 230, Valrico, FL 33595
Phone No.: 813.659.9197
FBPE Registry No. 9813



BUCK ANCHORING
OX



BUCK ANCHORING
OXO

CONCRETE ANCHOR NOTES:

- Concrete anchor locations at the corners may be adjusted to maintain the min. edge distance to mortar joints.
- Concrete anchor locations noted as "MAX. ON CENTER" must be adjusted to maintain the min. edge distance to mortar joints, additional concrete anchors may be required to ensure the "MAX. ON CENTER" dimensions are not exceeded.
- Concrete anchor table:

ANCHOR TYPE	ANCHOR SIZE	MIN. EMBEDMENT	MIN. CLEARANCE TO MASONRY EDGE	MIN. CLEARANCE TO ADJACENT ANCHOR
ITW TAPCON®	3/16"	1-1/4"	3"	1-1/2"
ITW TAPCON®	1/4"	1-1/4"	2"	4"

WOOD SCREW INSTALLATION NOTES:

- Maintain a minimum 5/8" edge distance, 1" end distance, & 1" o.c. spacing of wood screws to prevent the splitting of wood.

Documents Prepared By:
Lyndon F. Schmidt
P.E. No. 43409

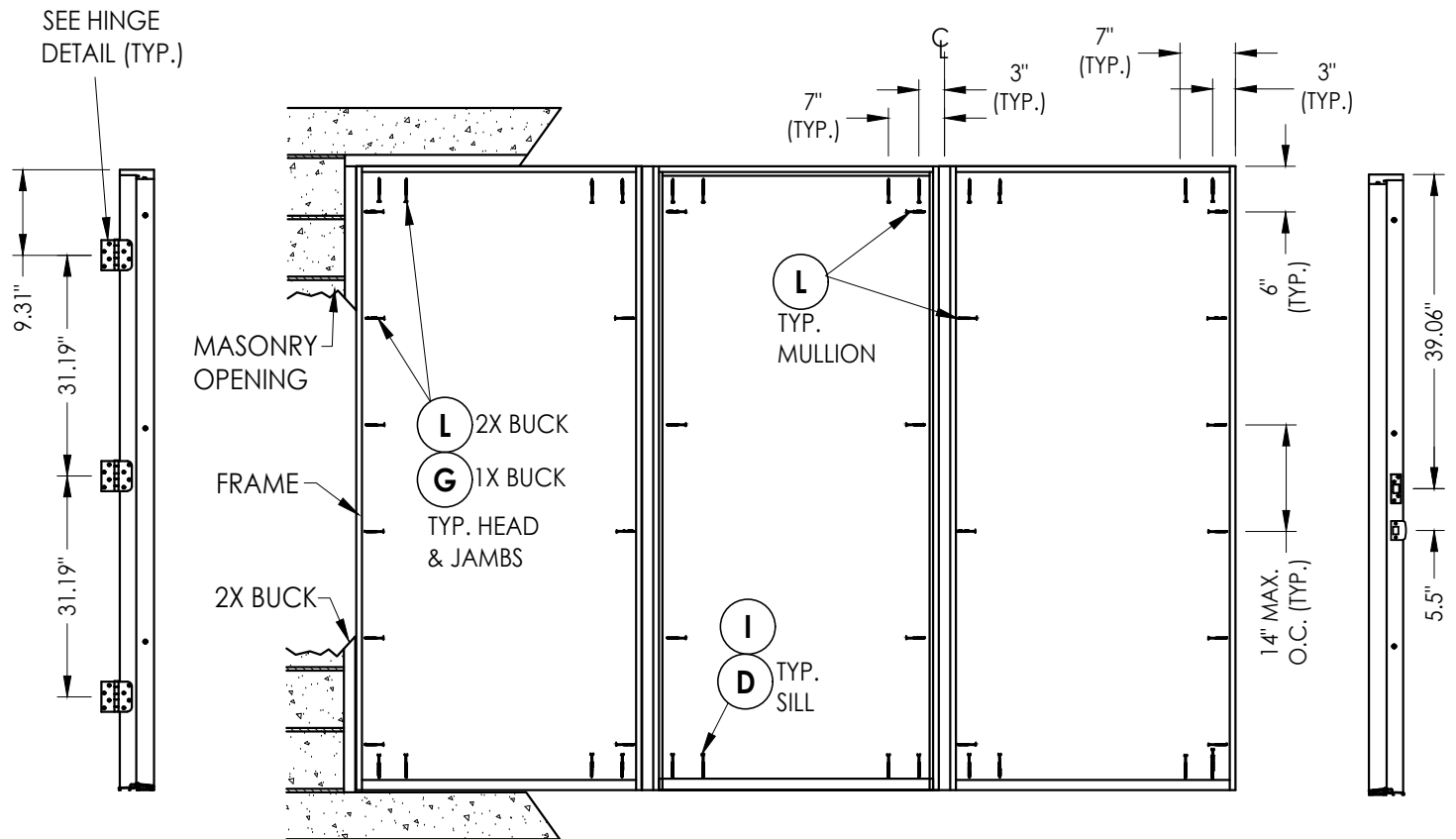
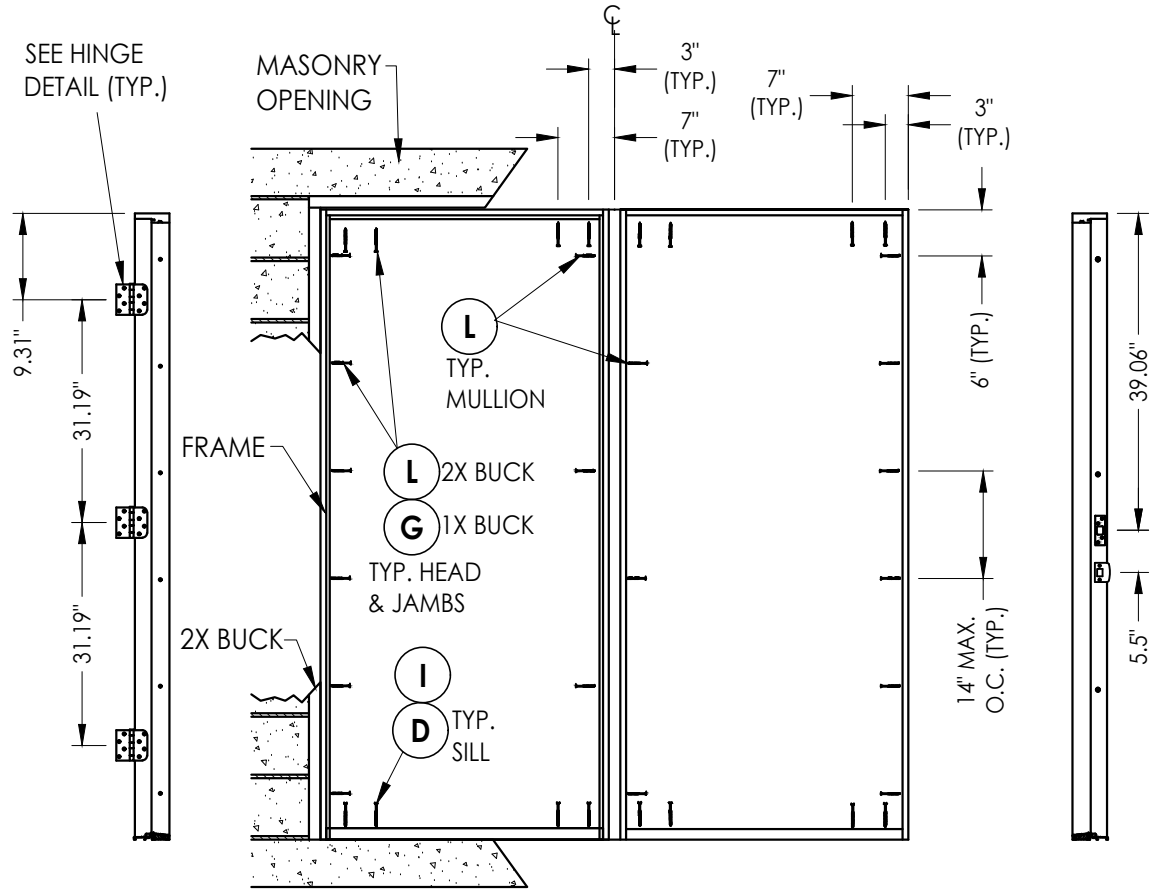
RW BUILDING CONSULTANTS, INC.
P.O. Box 230, Vairico, FL 33595
Phone No.: 813.659.9197
FBPE Registry No. 9813

PRODUCT:
WINCORE
FIBERGLASS DOOR

PART OR ASSEMBLY:
BUCK ANCHORING

NO.	DATE	REVISIONS
4	7/06/23	UPDATE TO 8TH ED. (2023) FBC & REVISE LITE FRAME
3	7/06/20	UPDATE TO 7TH ED. (2020) FBC
2	6/1/17	UPDATE TO 6TH ED. (2017) FBC
1	2/6/15	UPDATE TO 5TH ED. (2014) FBC
		DATE
		BY

DATE: 05/10/12
SCALE: N.T.S.
DWG. BY: JK
CHK. BY: LFS
DRAWING NO.: FL-15631.2
SHEET 10 OF 12



HINGE JAMB

FRAME ANCHORING
OX

STRIKE MULLION
Latch & Deadbolt

FRAME ANCHORING
OXO

STRIKE MULLION
Latch & Deadbolt

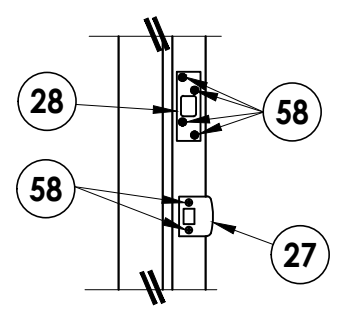
CONCRETE ANCHOR NOTES:

1. Concrete anchor locations at the corners may be adjusted to maintain the min. edge distance to mortar joints.
2. Concrete anchor locations noted as "MAX. ON CENTER" must be adjusted to maintain the min. edge distance to mortar joints, additional concrete anchors may be required to ensure the "MAX. ON CENTER" dimensions are not exceeded.
3. Concrete anchor table:

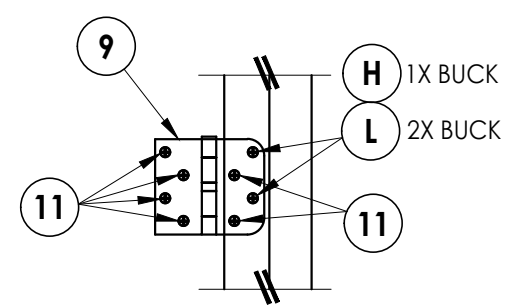
ANCHOR TYPE	ANCHOR SIZE	MIN. EMBEDMENT	MIN. CLEARANCE TO MASONRY EDGE	MIN. CLEARANCE TO ADJACENT ANCHOR
ITW TAPCON®	3/16"	1-1/4"	3"	1-1/2"
ITW TAPCON®	1/4"	1-1/4"	2"	4"

WOOD SCREW INSTALLATION NOTES:

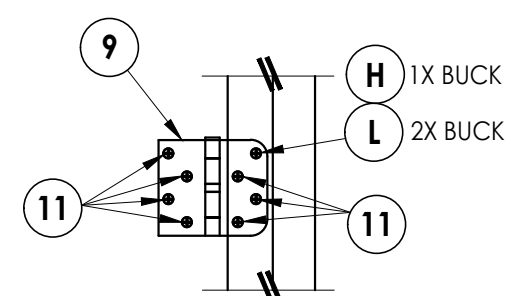
1. Maintain a minimum 5/8" edge distance, 1" end distance, & 1" o.c. spacing of wood screws to prevent the splitting of wood.



LATCH AND DEADBOLT
Details



HINGE DETAIL
Inswing



HINGE DETAIL
Outswing

Documents Prepared By:
Lyndon F. Schmidt
P.E. No. 43409

PRODUCT:
WINCORE
FIBERGLASS DOOR

PART OR ASSEMBLY:
FRAME ANCHORING

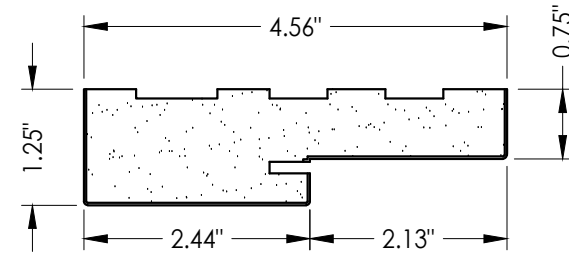
NO.	DATE	REVISIONS
4	7/06/23	UPDATE TO 8TH ED. (2023) FBC & REVISE LITE FRAME
3	7/06/20	UPDATE TO 7TH ED. (2020) FBC
2	6/1/17	UPDATE TO 6TH ED. (2017) FBC
1	2/6/15	UPDATE TO 5TH ED. (2014) FBC

DATE: 05/10/12
SCALE: N.T.S.
DWG. BY: JK
CHK. BY: LFS
DRAWING NO.: FL-15631.2
SHEET 11 OF 12

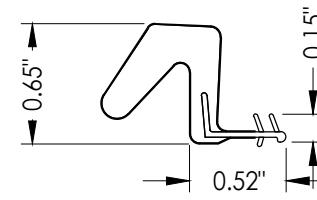
RW BUILDING CONSULTANTS, INC.
P.O. Box 230, Valrico, FL 33595
Phone No.: 813.659.9197
FBPE Registry No. 9813

BILL OF MATERIALS

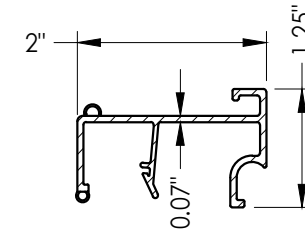
ITEM #	DESCRIPTION	MATERIAL
A	1X BUCK (G >= 0.55)	WOOD
B	2X BUCK (G >= 0.55)	WOOD
C	1/4" MAX. SHIM SPACE	-
D	1/4" X 2-3/4" PFH ITW CONCRETE SCREW	STEEL
E	MASONRY - 3,000 PSI MIN. CONCRETE CONFORMING TO ACI 301 OR HOLLOW BLOCK CONFORMING TO ASTM C90	CONCRETE
G	1/4" X 3-3/4" PFH ITW CONCRETE SCREW	STEEL
H	3/16" x 3-1/4" PFH ITW CONCRETE SCREW	STEEL
I	1/4" X 1-3/4" PFH ITW CONCRETE SCREW	STEEL
L	#8 X 2-1/2" PFH WOOD SCREW (1.15" MIN. EMBEDMENT)	STEEL
K	#9 X 2-1/2" PFH WOOD SCREW	STEEL
1	POLY FIBER JAMB	POLY FIBER
7	WEATHERSTRIP	FOAM
8	DOOR BOTTOM SWEEP	VINYL
9	4" X 4" BUTT HINGE	STEEL
11	#9 X 3/4" PFH WOOD SCREW	STEEL
22	HOPPE - HLS9000 (3-PT. TONGUE) MULTI-POINT LOCKSET	STEEL
23	MULTI-POINT STRIKE PLATE (TONGUE SYSTEM)	STEEL
25	LATCH AND DEADBOLT STRIKE PLATE (TONGUE SYSTEM)	STEEL
27	LATCH STRIKE PLATE	STEEL
28	DEADBOLT STRIKE PLATE (SECURITY)	STEEL
29	ADA THRESHOLD	ALUM
30	OUTSWING THRESHOLD	ALUM/WOOD
32	OUTSWING THRESHOLD	ALUM/WOOD
33	OUTSWING THRESHOLD	ALUM/COMP
35	OUTSWING SIDELITE ADAPTER	VINYL
36	INSWING THRESHOLD	ALUM/COMP
39	INSWING SIDELITE ADAPTER	VINYL
40	DOOR PANEL - SEE DOOR PANEL DETAIL SHEET FOR DETAILS	-
50	SIDELITE PANEL - SEE SIDELITE PANEL DETAIL SHEET FOR DETAILS	-
55	#10 X 1-1/2" PFH SCREW	STEEL
57	BACKING PLATE	STEEL
58	#8 X 2" PFH WS	STEEL
59	EJNDURA TRILENNIUM SERIES 3000 - 3 POINT LOCK	-
60	MULTI-POINT STRIKE PLATE	STEEL
62	LOCK ASSEMBLY	STEEL
88	2X REINFORCEMENT SG >= 0.55	WOOD



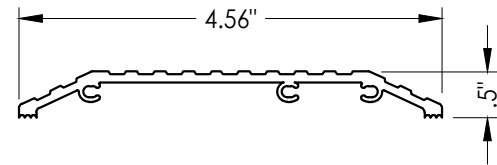
1 POLY FIBER JAMB
Plastpro



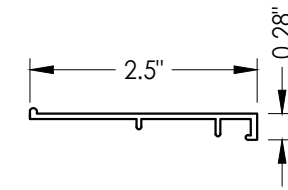
7 WEATHERSTRIP
Endura Force 5



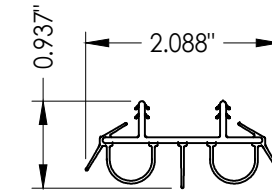
39 INSWING SIDELITE ADAPTER



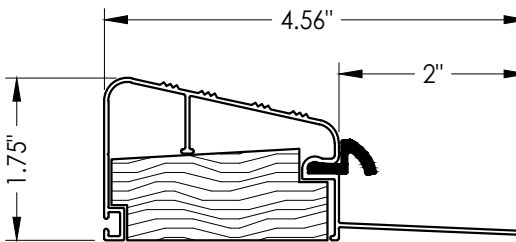
29 ADA THRESHOLD
DLP



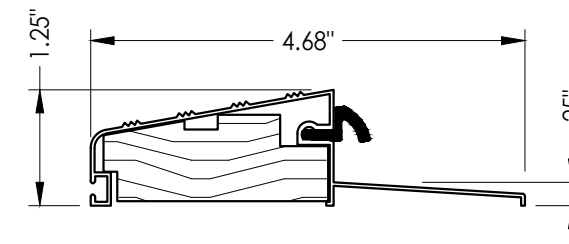
35 OUTSWING SIDELITE ADAPTER



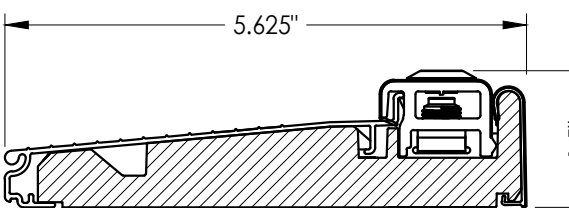
8 DOOR BOTTOM SWEEP



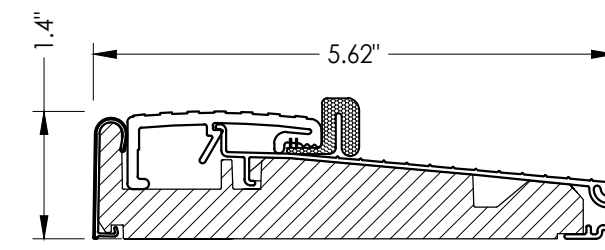
30 OUTSWING THRESHOLD
DLP (QOSR)



32 OUTSWING THRESHOLD
DLP (QOSH)



36 INSWING THRESHOLD
Endura (Z-Series)



33 OUTSWING THRESHOLD
Endura (Z-Series)

Documents Prepared By:
Lyndon F. Schmidt
P.E. No. 43409

RW BUILDING CONSULTANTS, INC.
P.O. Box 230, Vairico, FL 33595
Phone No.: 813.659.9197
FBPE Registry No. 9813

PRODUCT:

WINCORE
FIBERGLASS DOOR
PART OR ASSEMBLY:
BILL OF MATERIALS
& COMPONENTS

NO.	DATE	REVISIONS	BY
4	7/06/23	UPDATE TO 8TH ED. (2023) FBC & REVISE LITE FRAME	LFS
3	7/06/20	UPDATE TO 7TH ED. (2020) FBC	LFS
2	6/1/17	UPDATE TO 6TH ED. (2017) FBC	LFS
1	2/6/15	UPDATE TO 5TH ED. (2014) FBC	JK

DATE: 05/10/12

SCALE: N.T.S.

DWG. BY: JK

CHK. BY: LFS

DRAWING NO.:

FL-15631.2

SHEET 12 OF 12